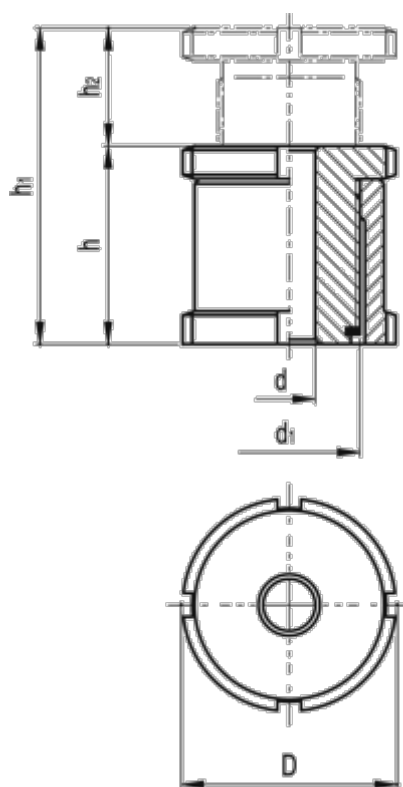


Article number: 20662155

Description: E+G Levelling set
GN 350-25-6.6-A-NI

Measures



C-spanner DIN 1810 = A25-28

d = 6.6

D = 25

d1 = M15x1

For screw = M6

h = 28

h1 = 43

h2 = 15

Max static load (N) = 27.1

Static preload (N) = 20.3

Weight (g) = 69